

## Specification Sheet

Part Number: 151-03011

One-piece ratchet closure allows for easy installation during pre- or final assembly.

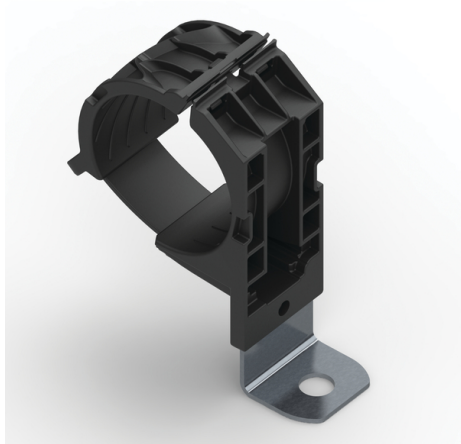
Easy release feature simplifies quick adjustments and maintenance.

Impact modified, heat and UV stabilized PA66 provides long-term durability, indoors and out.

Low fire hazard PA666V0 material is designed specifically for rail applications.

Stainless steel mounting plate tolerates high torque and provides superior corrosion resistance against chemicals, salt spray and contact with dissimilar metals.

Angled mounting plates are ideal for stacking RPCs or for avoiding obstructions or heat sources.



Ratchet P-Clamp, 1.38 - 2.01" Bundle Dia, 90° Short, 0.33" Hole Dia, PA666V0/SS304, Black, 160/ctn

Article Number	151-03011
Type	RCD90SM8SS
Color	Black (BK)
Quantity Per	bag

Product Description	The Ratchet P-Clamp family offers versatility when managing wires, cables and hoses. The robust design and durable materials make it ideal for heavy duty applications, both indoors and out. The one-piece adjustable clamp can be closed by hand to the desired diameter. The release feature provides easy and nondestructive removal of cables simply by using a flat-head screwdriver. This nondestructive release allows the clamp to be reused without removing or replacing any bolts or screws. Low fire hazard material is designed specifically for rail applications.
Short Description	Ratchet P-Clamp, 1.38 - 2.01" Bundle Dia, 90° Short, 0.33" Hole Dia, PA666V0/SS304, Black, 160/ctn
Global Part Name	RCD90SM8SS-PA666V0/SS304-BK
Minimum Tensile Strength (Imperial)	100
Minimum Tensile Strength (Metric)	445
Length L (Imperial)	6.58
Length L (Metric)	167.2
Fixation Method	Screw Mounting
Variant	Short
Width W (Imperial)	1.37
Width W (Metric)	34.9
Bundle Diameter Min (Imperial)	1.42
Bundle Diameter Min (Metric)	36.0

Bundle Diameter Max (Imperial)	2.01
Bundle Diameter Max (Metric)	51.0
Mounting Hole Diameter D (Imperial)	0.33
Mounting Hole Diameter D (Metric)	8.4 mm
Stud Diameter (Metric)	M8
Mounting Hole Centers (Imperial)	2.62
Material	Polyamide 6.6/6, V0 (PA666V0) Stainless Steel (SS304)
Material Shortcut	PA666V0 SS304
Flammability	UL 94 V-0
Halogen Free	Yes
UV Resistant (Yes/No)	Yes
Use Conditions	For Indoor and Outdoor Use
Operating Temperature	-40°F to +248°F (-40°C to +120°C)
Reach Compliant (Article 33)	Yes
ROHS Compliant	Yes

Certification/Specification

ASTM E 662 ASTM 1354 EN [45545-2] ASTM E 162

Package Quantity (Imperial)

160

Package Quantity (Metric)

160

Customs Number

3926909988

© 2024 HellermannTyton. All Rights Reserved.

[Contact Us](#)

[RoHS/WEEE Compliance](#)

[Disclaimer](#)

[Terms and Conditions](#)